

# T LINE CURRENT TRANSFORMERS

## T201

AC Current transformer with 4-20mA current loop output



Current Input selectable as monopolar or bipolar through Dip-Switches

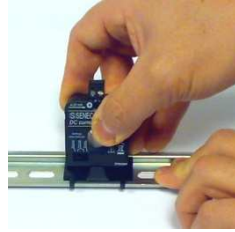
- High precision (0,2%)
- Configurable input from 5 to 40 Adc
- Dip switches configuration
- Output 4..20 mA (loop powered)
- Compact size: 38 x 40 x 20 mm (Ø 12,5 mm)



➔ For further information go to <http://www.seneca.it>

# T201

## Current transformer with 4-20mA current loop output



### ORDER CODE

**Code** T201 AC Current transformer with 4-20mA current loop output

## TECHNICAL SPECIFICATIONS

### GENERAL FEATURES

<b>Accuracy class</b>	0.2
<b>Max error</b>	0.2% o.m + 0,1% o.f.s.
<b>Coeff. temperatura</b>	< 150 ppm/K
<b>EMI error</b>	< 50 $\mu$ A
<b>Response time</b>	100 ms (without filter) 2,5 s (with filter)
<b>Protection degree</b>	IP 20
<b>Operating temperature</b>	-20..+65°C
<b>Humidity</b>	10..90% non condensing
<b>Weight</b>	47 g
<b>Dimensions</b>	38 x 40 x 20 mm
<b>Enclosure</b>	PBT, black
<b>Configuration</b>	DIP-switches (range, filter)
<b>Mouting</b>	DIN rail guide
<b>Norms</b>	CE, EN 61000-6-4, EN 64000-6-2, EN 61010-1, EN 60742

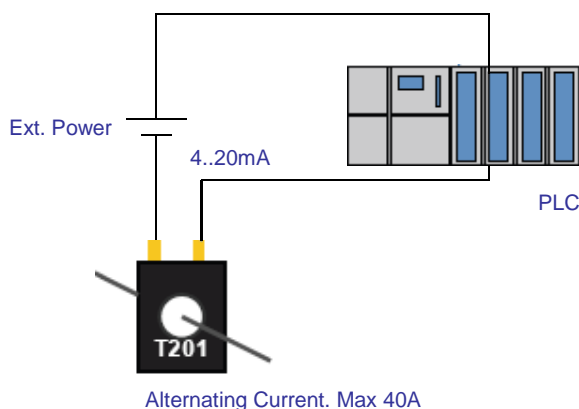
### INPUT

<b>Connexion</b>	Passing- through hole
<b>Hole diameter</b>	12,5mm, 1/2 "
<b>Range</b>	Monopolar: 0..5 / 0..10 / 0..15 / 0..20 / 0..25 / 0..30 / 0..35 / 0..40 A
<b>Maximun rating</b>	< 800 A
<b>Self consumption</b>	< 50 mW
<b>Isolation</b>	Overvoltage measurement class: CAT III 300 V towards earth, with an insulated wire .

### OUTPUT / POWER SUPPLY

<b>Type</b>	Passive current loop 4..20 mA
<b>Terminals</b>	FastonTerminals (6,3mmx 0,8 mm).
<b>Power supply</b>	5..28V
<b>Other protections</b>	Polarity reversal. Loop current limiting on hardware fault. Over-temperature

## TYPICAL APPLICATION



## ELECTRICAL CONNECTION

