

# S LINE - HIGH PERFORMANCE SOLUTION IN A COMPACT SIZE

## S315

Loop powered display, 4-20 mA input



CE EN 61000-6-4  
EN 64000-6-2  
EN 61010-1



High Accuracy  
A/D resolution  
Thermal Stability  
Input  
Power supply  
Max Voltage drop  
Settings  
Small dimension  
Operating temperature  
Special Version

Max error 0,05%,  
16 bit  
0,005%/°K  
Current 4-20 mA  
by the input loop (max 30 V)  
7 V  
Front Key Buttons, protected by a password  
96x48x40 mm  
-10..+65 °C  
Available in IP66 housing too



➔ For further information, please visit [www.seneca.it](http://www.seneca.it)

# S315

Loop powered display, 4-20 mA input



## ORDER CODE

<b>Model</b>	<b>S315</b>	Loop powered display, 4..20mA input
	<b>S315/IP66</b>	Loop powered display, 4..20mA input (IP66 housing)

## TECHNICAL SPECIFICATIONS

### GENERAL FEATURES

<b>Power supply</b>	By the input loop (max 30 V)
<b>Voltage drop</b>	Max 7 V [6,2 V + (50Ω * 4-20 mA)]
<b>ADC resolution</b>	16 bit (40.000 points)
<b>Memory</b>	EEPROM, 10 years

### DISPLAY AND MEASURE

<b>Display</b>	LED, 4 digits
<b>Front buttons</b>	3 (down, up, menù)
<b>Accuracy</b>	0,05%
<b>Thermal stability</b>	0,005%/°K
<b>Linearity</b>	0,05%
<b>Electromagnetic interf.</b>	< 1%
<b>Error warning</b>	Value > 3% of full scale or greater than 9999 Value < 3% of start scale or lower than -9999

### INPUT

<b>Channel</b>	1
<b>Type and range</b>	Current (4-20 mA)

### THERMOMECHANICS FEATURES

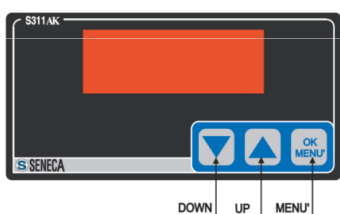
<b>Operating temperature</b>	-10..+65°C
<b>Storing temperature</b>	-30..+85°C
<b>Humidity</b>	Min 30%, max 90% not condensing
<b>Housing</b>	PPO auto extinguish, DIN 43700
<b>Protection degree</b>	IP65
<b>Terminal blocks</b>	Screws: 2 ways (power supply)
<b>Dimensions (wxhxd)</b>	96 x 48 x 40 mm
<b>Hole dimension</b>	91x45 mm
<b>Weight</b>	200 g

### SETTINGS AND NORMS

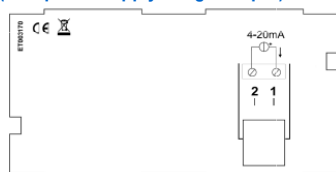
<b>Settings (menù buttons)</b>	Password, input type, start / full electric scale, start / full display scale, decimal point, filter level
<b>Access protection</b>	Through password
<b>Conformity</b>	CE
<b>Norms</b>	EN 61000-6-4, EN 64000-6, EN 61010-1, EN 60742

## LAYOUT AND DIMENSION

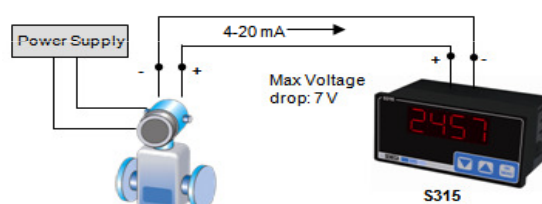
### Buttons position (side part)



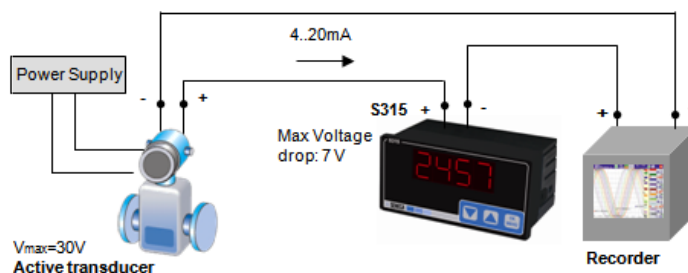
### Terminal block (with power supply & signal input)



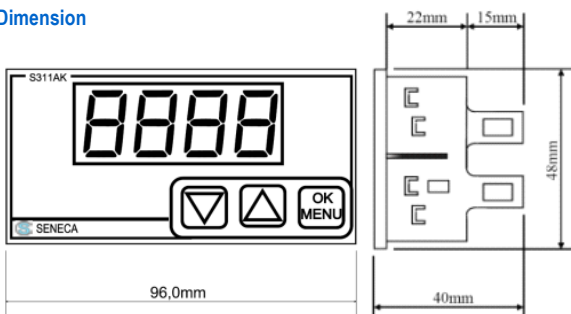
### Application example



### Application example with few devices in the same current loop



### Dimension



via Germania, 34 • 35127 Padova - Italy - Ph +39 049 87.05.359 (.408)  
Fax +39 049 87.06.287 • www.seneca.it • info@seneca.it

Document subject to modifications and revisions. Reproduction forbidden if not authorized.

S315\_1001\_EN





Sample photo

Dimensions:	Length	Width	Height
mm:	130	80	60
inch:	5.1	3.1	2.4

Materials:	
Material:	ABS
Base colour:	RAL 7035
Cover colour:	Smoked grey
Cover screws material:	Polyamide
Cover screws colour:	Black
Gasket material:	TPE

Temperatures:	
Short term:	-40 ... 80 °C
Continuous:	-40 ... 60 °C
Short term:	-40 ... 175 °F
Continuous:	-40 ... 140 °F

Accessories:	
MIV 100	Mounting plate (Galvanized steel)
MIN 5	DIN-15 Mounting rail
MIN 10	DIN-15 Mounting rail
MIV 5	DIN-35 Mounting rail
MIV 10	DIN-35 Mounting rail
FP A 100/130	Front plate (Aluminium)
HFP 130	Front plate hinge series (2 pcs)
FP 22046	Wall fastening lug (4 pcs)

Rating:
Ingress Protection (EN 60529): IP 66/67
Impact Resistance (EN 62262): IK 07
Electrical insulation: Totally insulated
Halogen free (DIN/VDE 0472, Part 815): Yes
Flammability Rating (UL 746 C 5): UL 94 HB
Glow Wire Test (IEC 695-2-1) °C: 650
NEMA Class: NEMA 1, 4, 4X, 6

Certificates:
Fimko
Europe EN 50298: 1998
Gost R

